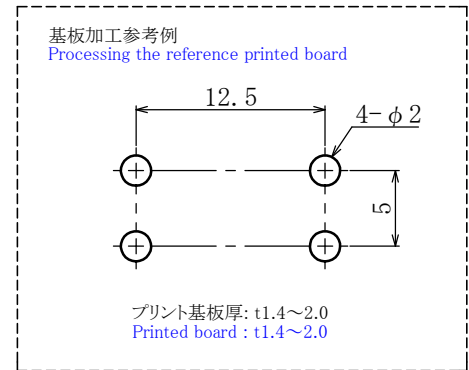
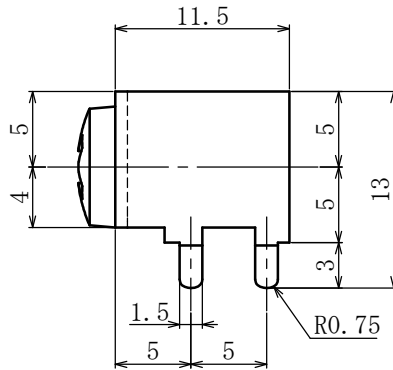
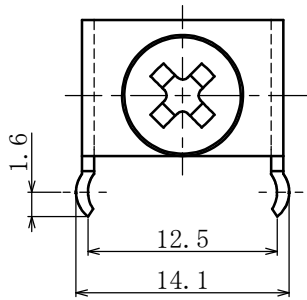
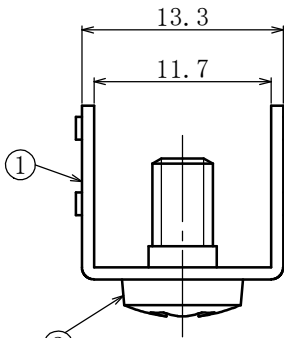


| | | | |
|--------------------------------------|------------------|--------------------|--------------------|
| 型名 Type Number | F4082C | | |
| 定格 Rating | 20A~40A | | |
| ねじ径 Screw Diameter | M4 | | |
| 使用可能電流 Usable Current | 20A | 30A | 40A |
| 適合電線 Compatible Wire | 2mm ² | 3.5mm ² | 5.5mm ² |
| 推奨圧着端子 Recommended Crimp Terminal | R2-4 | R3.5-4 | R5.5-4 |

一般公差 / General Tolerance ±0.5

尺度 / Scale $\frac{2}{1}$ 単位 / Unit mm



・注文方法: **型番** (下表の型番を御参照下さい。)

■仕様 Specifications. •Ordering Form: Type No. (See the type number in the following table)

| 番号 Part No. | 名称 Part Name | 材質 Material | 寸法 Size | 規格 Standard | 処理 Treatment |
|-------------|-----------------------------|-------------|----------|-------------|-----------------------|
| 1 | 基板端子 Printed board Terminal | 黄銅 Brass | 板厚 t=0.8 | C2680R | スズメッキ Tin-Plated |
| 2 | 結線ビス Screw | 黄銅 Brass | | C2700W | ニッケルメッキ Nickel-Plated |

| 型番 Type No. | 納入される物 Product Delivered |
|-------------|---|
| F4082C | 基板端子(M4用)のみ(ビスなし) Printed board terminal (for M4) only (W/O screws) |
| F4082CS | 基板端子+M4×6Lバインドビス組付 Printed board terminal+M4×6L binding head attached |

| 対応可能ビス Compatible screw | 材質 Material | 処理 Treatment | 形状 Shape |
|--|-------------|-----------------------|----------|
| PW・SWセムスパインド Type③With Plain(Flat)washer and spring lock washer | 黄銅 Brass | ニッケルメッキ Nickel-Plated | Type③ |
| | 鉄 steel | | |
| SWセムスパインド Type④With spring lock washer | 黄銅 Brass | ニッケルメッキ Nickel-Plated | Type④ |
| PW・SWセムスナベ Type⑤With Plain(Flat)washer and spring lock washer | 黄銅 Brass | ニッケルメッキ Nickel-Plated | Type⑤ |
| | 鉄 steel | | |
| SWセムスナベ Type⑦With spring lock washer | 黄銅 Brass | ニッケルメッキ Nickel-Plated | Type⑦ |