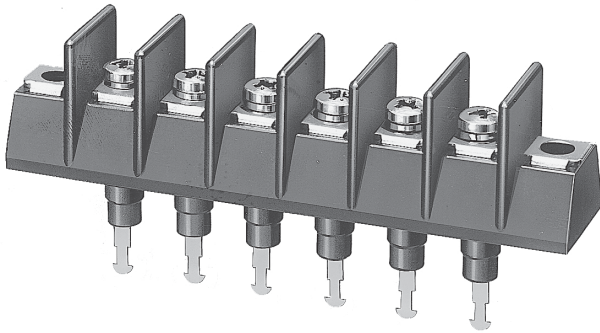


貫通型端子盤



Through-type Terminal Block



ピッチ/Pitch 9.5mm

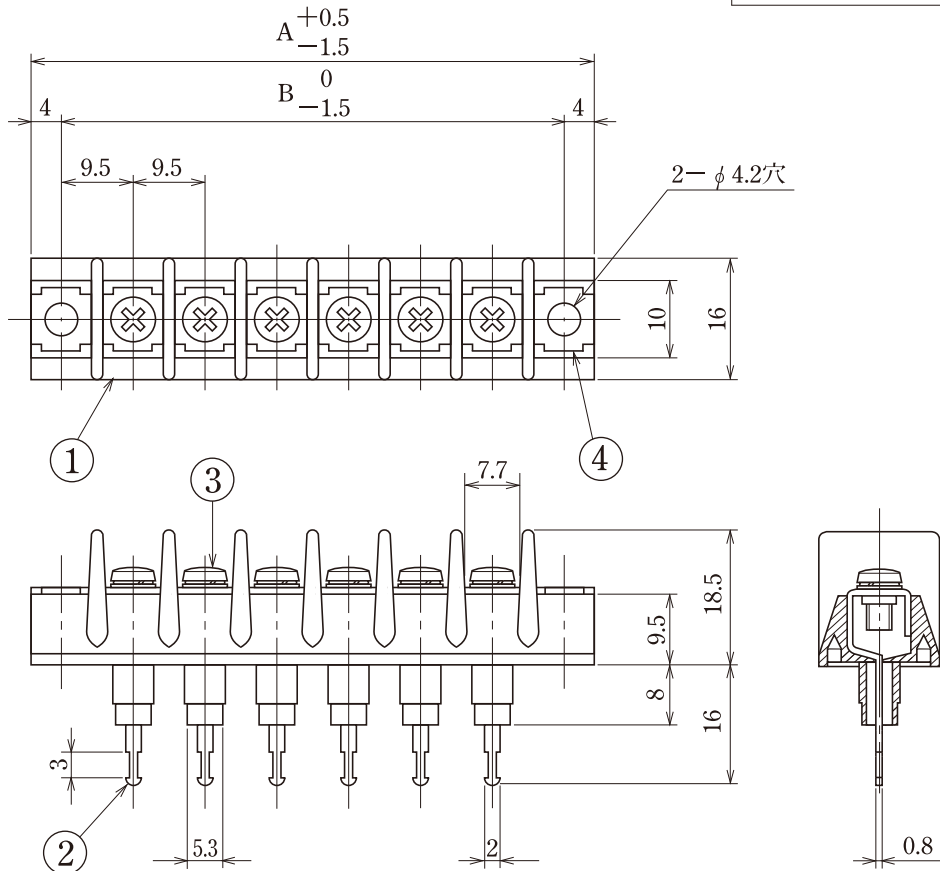
| | |
|-------------------------------|--|
| 型名 Type Number | F2048B |
| 定格 Rating | AC250V 15A |
| 絶縁抵抗 Insulation Resistance | 500V 1000MΩ 以上 DC500V 1000MΩ and over |
| 耐電圧 Withstands Voltage | 2000V 1分間以上 AC2000V 1 minute and over |
| 適合電線 Compatible Wire | 1.25mm ² |

一般公差/General Tolerance ±0.5

尺度/Scale 1/1 単位/Unit mm

貫通型

半田付用



- 注文方法：[型名] — [極数] P.
- Ordering Form : Type No. No. of Poles (P)
- 結線ビス：締付トルクは0.6N・mです。
- Connection screw : Tightening torque is 0.6 N・m.
- カバーはオプションとなっておりますのでご希望の際は注文方法の末尾に-PCTとご記入ください。(INDEX 参照) 但しカバーは添付納入となります。その他オプション *ショートピース (F2111、F2111B)
- Information for Customer, the cover is optional. Purchasing method, add "- PCT"(Cover) at the end of the Part name. (See Index for reference) The cover will be delivered separately. Other options *Jumper (F2111、F2111B)

仕様/Specifications.

| 部番/Part No. | 名称/Part Name | 材質/Material | 規格/Standard | 寸法/Size | 処理/Treatment | 備考/Remark |
|-------------|---------------------|-------------|-------------|-----------|-----------------------|-------------------|
| 1 | 基板 Base | PBT | UL | | | 黒色 Black |
| 2 | 導電板 Terminal | 黄銅 Brass | C2680R | 板厚 t 0.8 | スズメッキ Tin-Plated | |
| 3 | 結線ビス Screw | 黄銅 Brass | C2700W | M3×0.5×8ℓ | ニッケルメッキ Nickel-Plated | PWSWセムスパインド Type③ |
| 4 | 取付金具 Mounting plate | 黄銅 Brass | C2680R | 板厚 t 1.0 | ニッケルメッキ Nickel-Plated | |

| 極数/Poles | 1P | 2 | 3 | 4 | 5 | 6 | 7 | 8 | 9 | 10 | 11 | 12 | 13 | 14 | 15 | 16 | 17 | 18 | 19 | 20 | 21 | 22 |
|----------|------|------|------|------|------|------|------|------|-------|-------|-------|-------|-------|-------|-------|-------|-------|-------|-------|-------|-------|-------|
| A | 27.0 | 36.5 | 46.0 | 55.5 | 65.0 | 74.5 | 84.0 | 93.5 | 103.0 | 112.5 | 122.0 | 131.5 | 141.0 | 150.5 | 160.0 | 169.5 | 179.0 | 188.5 | 198.0 | 207.5 | 217.0 | 226.5 |
| B | 19.0 | 28.5 | 38.0 | 47.5 | 57.0 | 66.5 | 76.0 | 85.5 | 95.0 | 104.5 | 114.0 | 123.5 | 133.0 | 142.5 | 152.0 | 161.5 | 171.0 | 180.5 | 190.0 | 199.5 | 209.0 | 218.5 |

| 極数/Poles | 23 | 24 | 25 | 26 |
|----------|-------|-------|-------|-------|
| A | 236.0 | 245.5 | 255.0 | 264.5 |
| B | 228.0 | 237.5 | 247.0 | 256.5 |