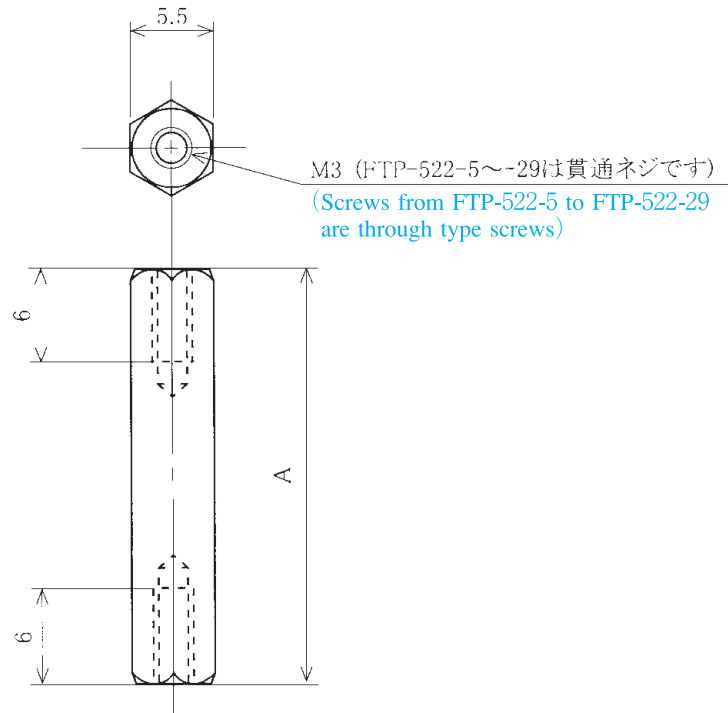


型名 Type Number	FTP-522
-------------------	---------

尺度 / Scale $\frac{3}{4}$ 単位 / Unit mm



● 注文方法：型番 (下表の型番を御参照下さい)

● Ordering Form : Type No. (See the type number in the following table)

仕様 / Specifications.

材質 / Material	規格 / Standard	処理 / Treatment	備考 / Remark
黄銅 Brass	C3604B	ニッケルメッキ Nickel-Plated	

型番 Type Number	FTP-522 -5	FTP-522 -6	FTP-522 -7	FTP-522 -7.5	FTP-522 -8	FTP-522 -9	FTP-522 -10	FTP-522 -11	FTP-522 -12	FTP-522 -12.5	FTP-522 -13	FTP-522 -14
A寸法 Dimension A	5	6	7	7.5	8	9	10	11	12	12.5	13	14

型番 Type Number	FTP-522 -15	FTP-522 -16	FTP-522 -16.5	FTP-522 -17	FTP-522 -17.5	FTP-522 -18	FTP-522 -19	FTP-522 -20	FTP-522 -21	FTP-522 -22	FTP-522 -23	FTP-522 -24
A寸法 Dimension A	15	16	16.5	17	17.5	18	19	20	21	22	23	24

型番 Type Number	FTP-522 -25	FTP-522 -26	FTP-522 -27	FTP-522 -28	FTP-522 -29	FTP-522 -30	FTP-522 -31	FTP-522 -32	FTP-522 -33	FTP-522 -34	FTP-522 -35	FTP-522 -36
A寸法 Dimension A	25	26	27	28	29	30	31	32	33	34	35	36

型番 Type Number	FTP-522 -37	FTP-522 -38	FTP-522 -39	FTP-522 -40	FTP-522 -41	FTP-522 -42	FTP-522 -43	FTP-522 -44	FTP-522 -45	FTP-522 -46	FTP-522 -47	FTP-522 -48
A寸法 Dimension A	37	38	39	40	41	42	43	44	45	46	47	48

型番 Type Number	FTP-522 -49	FTP-522 -50	FTP-522 -51	FTP-522 -52	FTP-522 -53	FTP-522 -54	FTP-522 -55	FTP-522 -56	FTP-522 -57	FTP-522 -58	FTP-522 -59	FTP-522 -60
A寸法 Dimension A	49	50	51	52	53	54	55	56	57	58	59	60

型番 Type Number	FTP-522 -65	FTP-522 -70	FTP-522 -75	FTP-522 -80	FTP-522 -85	FTP-522 -90	FTP-522 -95	FTP-522 -100
A寸法 Dimension A	65	70	75	80	85	90	95	100