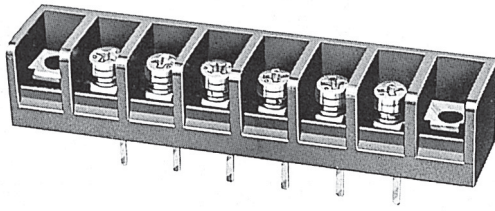


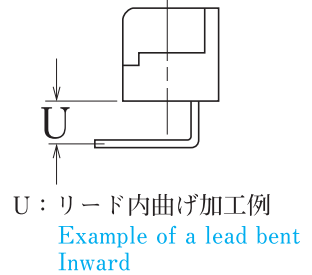
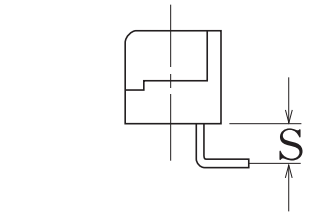
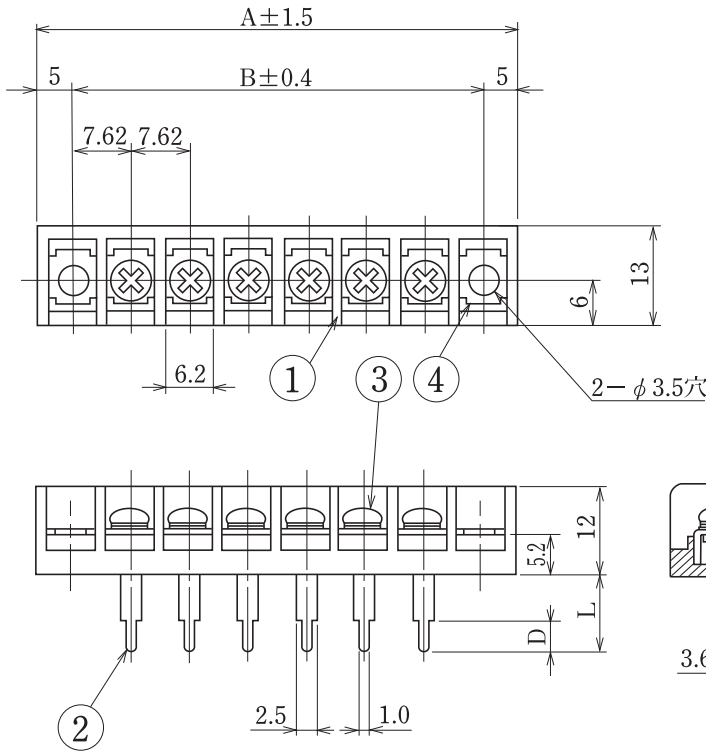
ピッチ/Pitch 7.62mm



| | | |
|-------------------------------|-----------|--|
| 型名 Type Number | UF2068A | |
| 定格 Rating | AC250V 6A | |
| 絶縁抵抗 Insulation Resistance | 500V | 1000MΩ 以上 DC500V 1000MΩ ₂ and over |
| 耐電圧 Withstands Voltage | 2000V | 1 分間以上 AC2000V 1 minute and over |
| 適合電線 Compatible Wire | 18-26AWG | |

一般公差/General Tolerance ±0.5

尺度/Scale 1/4 単位/Unit mm



4Lの時
In case of 4L

| 呼び/Nominal | L | L | L |
|------------|----|-----|---|
| 4L | 4 | — | — |
| 10L | 10 | 3.6 | 3 |

海外
認定
規格

貫
通
型

- 注文方法: 型名 — リード長 L — (曲げ希望時) 曲げ寸法 S/U — 極数 P.
- Ordering Form: Type No. Lead Length (L) Bent Length (M) No. of Poles (P) (if bending is desired)
- 結線ビス: 締付トルクは0.6N・mです。又、別仕様についてはINDEXを御参照下さい。
- Connection screw: Tightening torque is 0.6 N・m. See INDEX for other specifications.
- 用途: 市販(商業用)器具-事務用設備、電子式データ処理及び工業用で制限された定格を持つ装置。
- Application: Commercial appliances, including business equipment, electronic data processing equipment, etc. and industrial devices having limited ratings.

仕様/Specifications.

| 部番/Part No. | 名称/Part Name | 材質/Material | 規格/Standard | 寸法/Size | 処理/Treatment | 備考/Remark |
|-------------|---------------------|-------------|-------------|-----------|-----------------------|-------------------|
| 1 | 基板 Base | PBT | UL | | | 黒色 Black |
| 2 | 導電板 Terminal | 黄銅 Brass | C2680R | 板厚 t 0.8 | スズメッキ Tin-Plated | |
| 3 | 結線ビス Screw | 黄銅 Brass | C2700W | M3×0.5×5ℓ | ニッケルメッキ Nickel-Plated | PW.SW-セムスナベ Type⑤ |
| 4 | 取付金具 Mounting plate | 黄銅 Brass | C2680R | 板厚 t 0.8 | ニッケルメッキ Nickel-Plated | |

| 極数/Poles | 1P | 2 | 3 | 4 | 5 | 6 | 7 | 8 | 9 | 10 | 11 | 12 | 13 | 14 | 15 | 16 | 17 | 18 | 19 | 20 |
|----------|-------|-------|-------|-------|-------|-------|-------|-------|-------|-------|-------|-------|--------|--------|--------|--------|--------|--------|--------|--------|
| A | 25.3 | 32.9 | 40.5 | 48.1 | 55.8 | 63.4 | 71.0 | 78.5 | 86.2 | 93.9 | 101.5 | 109.1 | 116.7 | 124.3 | 132.0 | 139.6 | 147.2 | 154.8 | 162.4 | 170.1 |
| B | 15.24 | 22.86 | 30.48 | 38.10 | 45.72 | 53.34 | 60.96 | 68.58 | 76.20 | 83.82 | 91.44 | 99.06 | 106.68 | 114.30 | 121.92 | 129.54 | 137.16 | 144.78 | 152.40 | 160.02 |